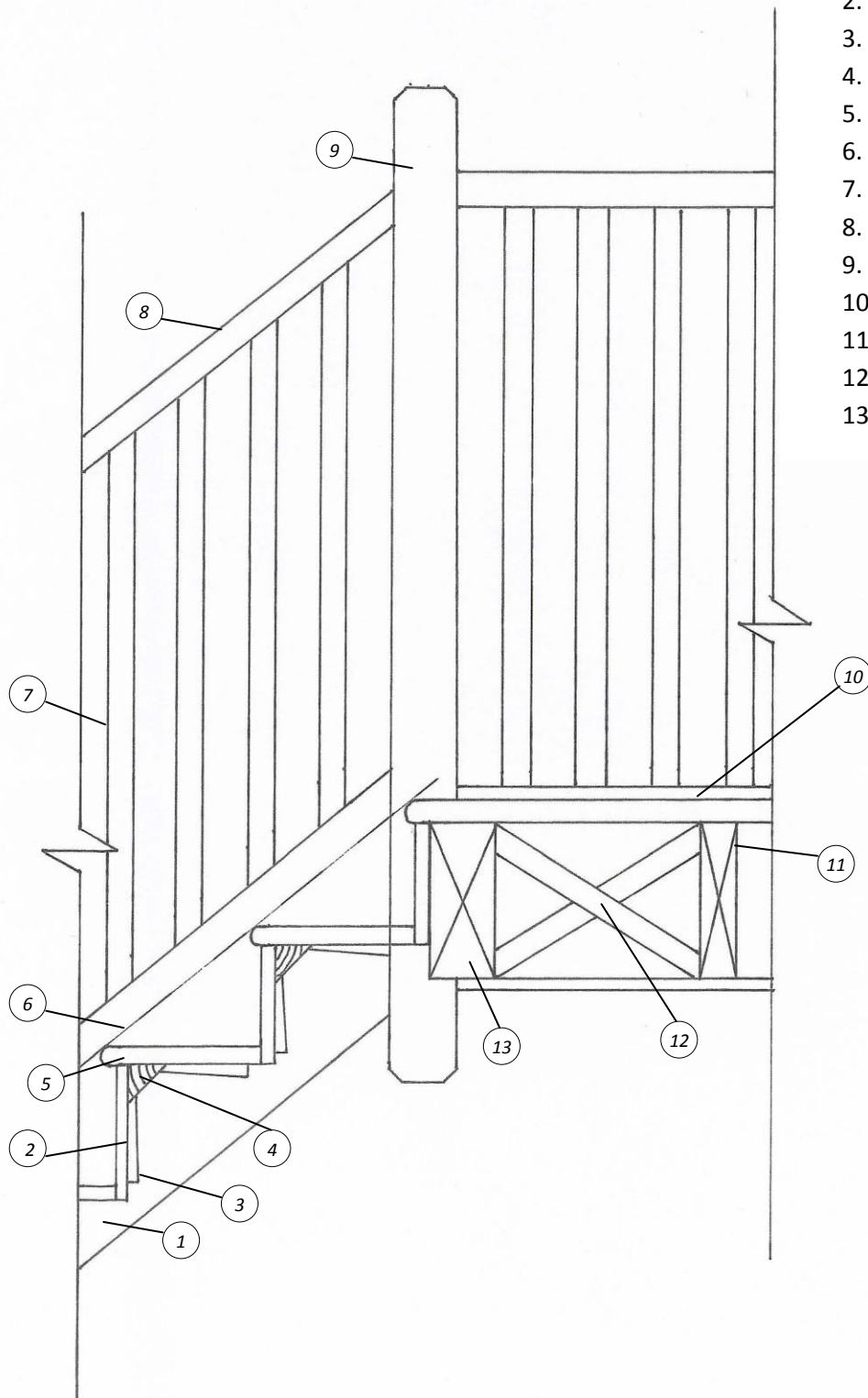


Stairs (Top)



1. 225 x 50 String
2. 18mm Riser
3. Wedges
4. Glue Blocks
5. 30mm Thread
6. Pitch Line (Line of Nosing)
7. 44 x 44 Balusters
8. 75 x 50 Handrail
9. 100 x 100 Newel Post
10. Upper Floor Landing
11. 150 x 44 Joist
12. Herringbone Strutting
13. 150 x 50 Trimmer Joist