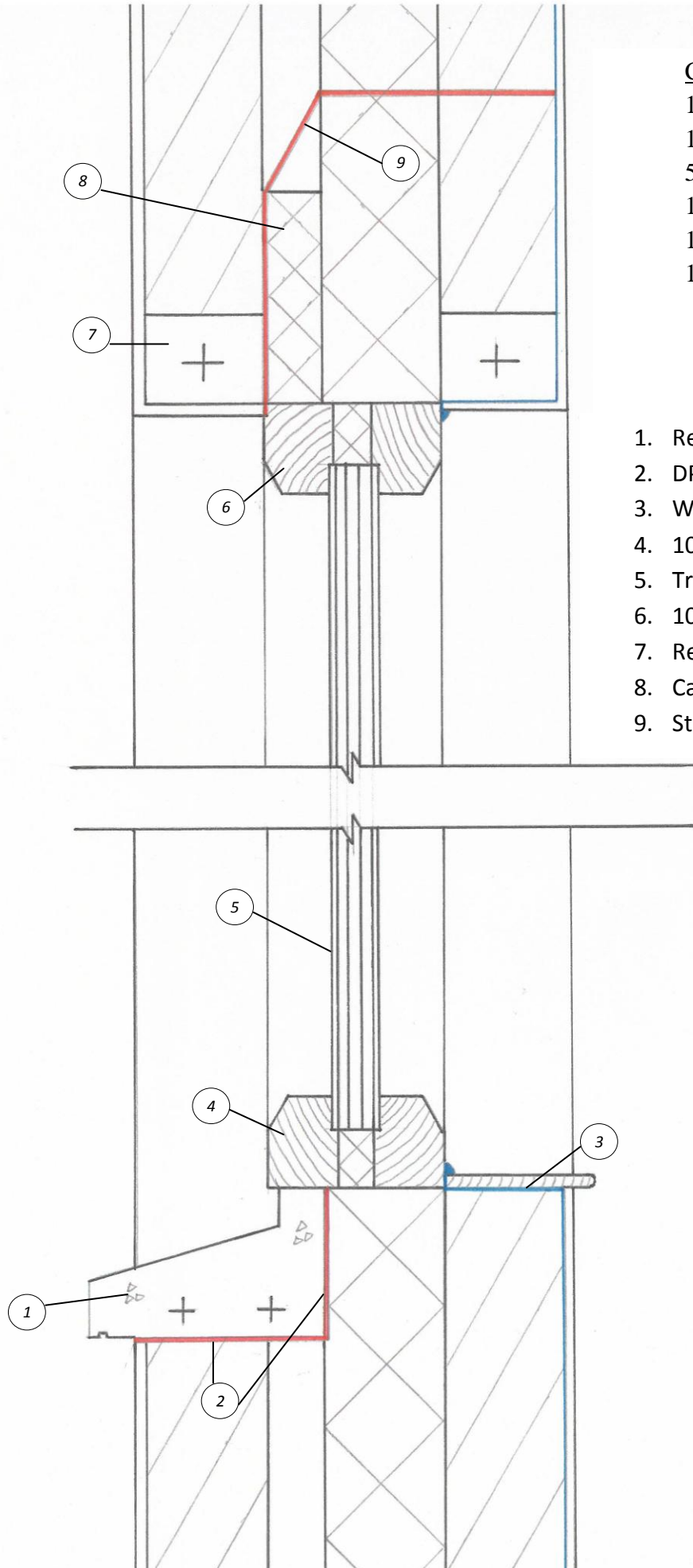


# Window Cill/Head Detail



## Cavity Wall:

18mm external render  
100mm block outer leaf  
50mm cavity  
100mm insulation  
100mm block inner leaf  
15mm internal plaster

1. Reinforced Concrete Cill
2. DPC wrapped around cill
3. Window Board
4. 100 x 75 Window Cill
5. Triple Glazing Window
6. 100 x 75 Window Head
7. Reinforced Concrete Lintels
8. Cavity Closed with Insulation
9. Stepped DPC